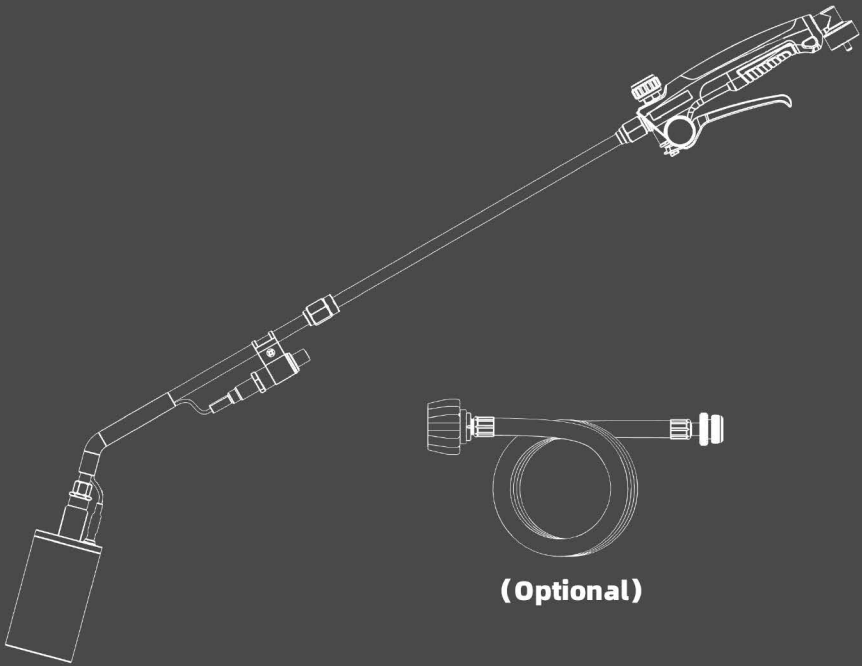


GASPRO®

User Manual

Detachable Propane Torch Kit with
Piezo Ignition



(Optional)



Please Read All Instructions and Save This Manual For Future Reference.

SPECIFICATIONS

Fuel Type	Propane
Product	Universal standard propane tank compatibility (1, 5, 10, 20 lb)
Hose	12.5 ft (Optional)
Maximum	3000 °F
Fuel consumption/time (reference)	1lb standard propane tank: 0.5hours 20lb standard propane tank: 10hours

IMPORTANT WARNING

Read this material before using this product. Failure to do so can result in serious injury.

<p>DO NOT OPERATE THIS EQUIPMENT IF:</p> <ul style="list-style-type: none"> ·You have not read or do not understand the operator’s manual. ·You are not capable of safely operating this type of equipment. ·You are subject to seizures, loss of consciousness, or fainting. ·You have been drinking alcohol, using illicit drugs, or prescription drugs that might affect your judgment or balance. ·Using a fuel appliance in a small and enclosed area can be harmful. 	<p>FOR YOUR SAFETY!</p> <p>If You Smell Gas:</p> <ul style="list-style-type: none"> ·Shut off gas to the device. ·Extinguish any open flame. ·Get everyone out of the building or area where you suspect gas is leaking. ·From a neighbor’s home or other nearby building away from the gas leak, call your propane retailer right away. If you can’t reach your propane retailer,
---	--

<p>Never use this appliance in a small and enclosed area. Always have fresh air venting.</p>	<p>call 911 or your local fire department.</p> <p>·NEVER attempt to relight the device until leaks are repaired and there is no gas smell.</p>
--	--

Tips:

·It is recommended to check whether the O-ring is damaged before use and use soapy water to check for air leakage.

·Suggest taking protective measures:

①It is best to wear goggles and gloves when using

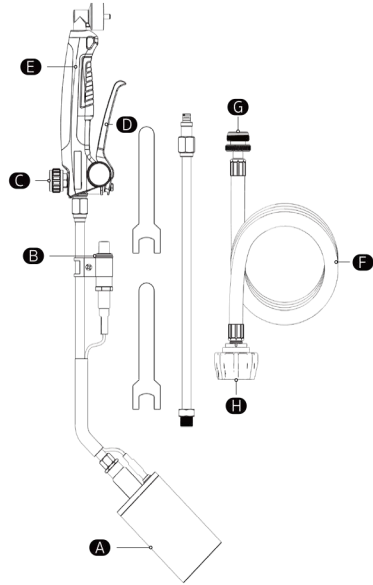
②Place fire extinguishers/watering cans and other firefighting equipment nearby

Under some circumstances, you may not smell a propane leak. Propane gas detectors sound an alarm if they sense propane in the air.

They can provide an additional measure of security.

PRODUCT INTRODUCTION

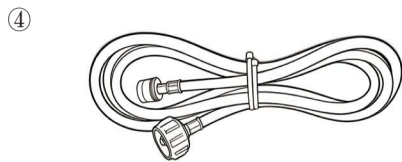
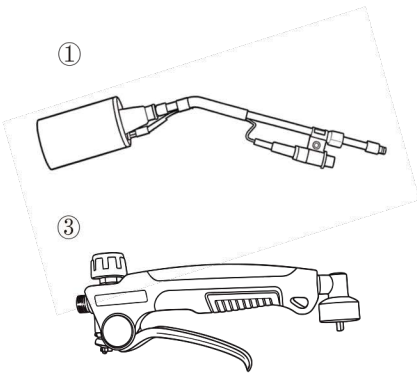
- A:** High Output Burner Head
- B:** Self-Igniter
- C:** Gas Control Valve
- D:** Turbo-blast Trigger
- E:** Ergonomically Designed Rubber Handle
- F:** Hose
- G:** Torch Handle Connector
- H:** Propane Tank Connector



PARTS LIST DIAGRAMS

Inside the package

- ① Torch Burner Head Part ② Extension Tube ③ Torch Handle Part ④ 12.5 ft Hose



(Optional)

Setup A: Using a 1 lb Propane Cylinder (Portable Setup)

Parts Needed: ① Torch Burner Head + ③ Torch Handle (± ② Extension Tube)

Steps:

1. Assemble the torch head and handle:

Screw the **Torch Burner Head** (①) directly onto the threaded port at the front of the **Torch Handle** (③). Tighten securely.

(Optional) For extra reach, first attach the **Extension Tube** (②) to the handle, then attach the burner head to the tube.

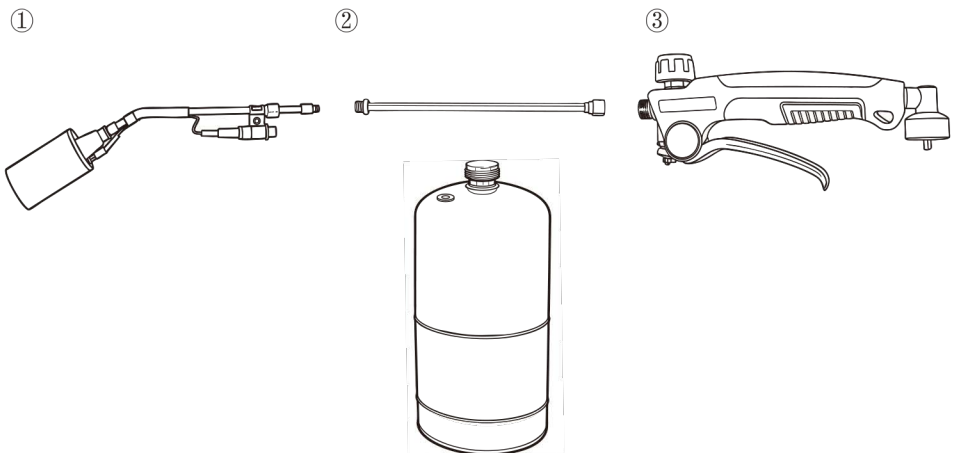
2. Attach the propane cylinder:

Screw the assembled torch's base (bottom of the handle) directly onto the valve of a **1-lb propane cylinder**.

Hand-tighten firmly; do not overtighten.

3. Pre-use check:

Verify all connections are snug before lighting.



Setup B: Using a 5–20 lb Propane Tank (Standard Setup)

Parts Needed: ① Torch Burner Head + ③ Torch Handle + ④12.5 ft Hose (± ② Extension Tube)

Steps:

1. Assemble the torch head and handle:

Connect the **Torch Burner Head** (①) to the **Torch Handle** (③).

(Optional) Insert the **Extension Tube** (②) between the head and handle if extended reach is desired.

2. Connect the hose:

Attach one end of the **12.5 ft Hose** (④) to the threaded outlet at the base of the torch handle. Tighten securely.

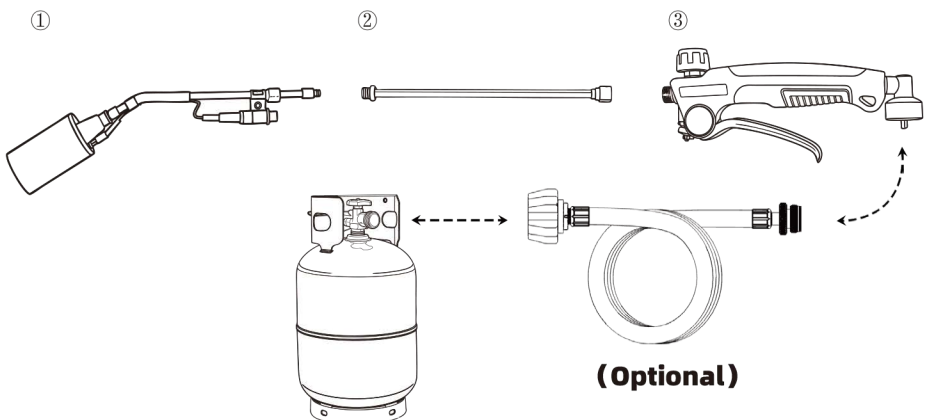
3. Connect to the propane tank:

Attach the other end of the hose to the outlet on your **5–20 lb propane tank**. Ensure the tank is placed on a stable, flat surface, away from ignition sources.

4. Safety check:

Inspect all connections for tightness.

Ensure the hose is untwisted and clear of hot surfaces or sharp edges.



STEPS FOR USAGE

1. Select your preferred setup and ensure the correct connection.

2. Turn the gas adjustment knob to release gas.

Slowly rotate the control knob approximately 1/8 turn before ignition.

3. Press the ignition button to light the flame.

4. Pull the turbo-blast trigger for a high-velocity flame.

It is recommended to maintain a 45-degree angle with the ground when weeding, and stay away from areas not intended to be burned.

POST-OPERATION

1. Shut the tank's gas valve.

2. Allow the residual propane to escape from the burner. Wait until the flame is completely extinguished.

3. Shut the torch's gas valve.

4. Disconnect the hose from the tank.

5. Allow the torch to cool on a non-flammable surface before storing it in the tool kit.

CARE & MAINTENANCE

1. Maintain the tool with care. A tool in good condition is efficient, easier to control, and will have fewer problems.

2. Inspect the tool components periodically. Repair or replace damaged or worn components. Only use identical replacement parts when servicing.

Keep the tool handles clean, dry, and free from oil/grease at all times.

WARNING!

LEAVE IT TO THE EXPERTS.

Only a qualified service technician has the training to install, inspect, service, maintain, and repair your appliances. Have your appliances and propane system inspected just before the start of each heating season.

DO NOT TRY TO MODIFY OR REPAIR

valves, regulators, connectors, controls, or other appliance and cylinder/tank parts.

Doing so creates the risk of a gas leak that can result in property damage, serious injury, or death.

CLEANING

Wipe the surface with a clean, moist cloth. Do not use cleaners.

Storage

- 1.Allow the unit to cool completely before storage.
- 2.Store in a dry, well-ventilated area away from heat, flames, and direct sunlight.
- 3.Keep out of reach of children.

DISPOSAL

Recycle a tool damaged beyond repair at the appropriate facility.

Contact your local municipality for a list of disposal facilities or bylaws for electronic devices, batteries, oil, or other toxic liquids.

Visit Our YouTube Channel

For product setup, usage demonstrations, and helpful tips, scan the QR code or enter the link below to visit our YouTube channel. We are committed to helping you get reliable and safe performance from your weed burner.

YouTube:

<https://www.youtube.com/@GASPRO-Official>

